

## Self-priming "JET" pumps

-  Clean water
-  Domestic use
-  Civil use
-  Industrial use



### PERFORMANCE RANGE

- Flow rate up to **160 l/min** (9.6 m<sup>3</sup>/h)
- Head up to **96 m**

### APPLICATION LIMITS

- Manometric suction lift up to **9 m** (HS)
- Liquid temperature between **-10 °C** and **+40 °C**
- Ambient temperature up to **+40 °C**
- Max. working pressure **10 bar**
- Continuous service **S1**

### CONSTRUCTION AND SAFETY STANDARDS

EN 60335-1  
IEC 60335-1  
CEI 61-150

EN 60034-1  
IEC 60034-1  
CEI 2-3



### CERTIFICATIONS

Company with management system certified DNV  
ISO 9001: QUALITY  
ISO 14001: ENVIRONMENT

### INSTALLATION AND USE

Suitable for use with clean water and with liquids that are not chemically aggressive towards the materials from which the pump is made. The self-priming **JSW** pumps are designed to pump water even in cases where air is present. Because of their reliability and the fact that they are easy to use, they are recommended for use in domestic, civil and industrial applications such as the distribution of water in combination with pressure tanks, and for the irrigation of gardens and orchards, etc. The pump should be installed in an enclosed environment or sheltered from inclement weather.

### PATENTS - TRADE MARKS - MODELS

- Registered Trade Mark n. 013073135 JSW<sup>®</sup>
- Registered EU Design n. 002218610

### OPTIONS AVAILABLE ON REQUEST

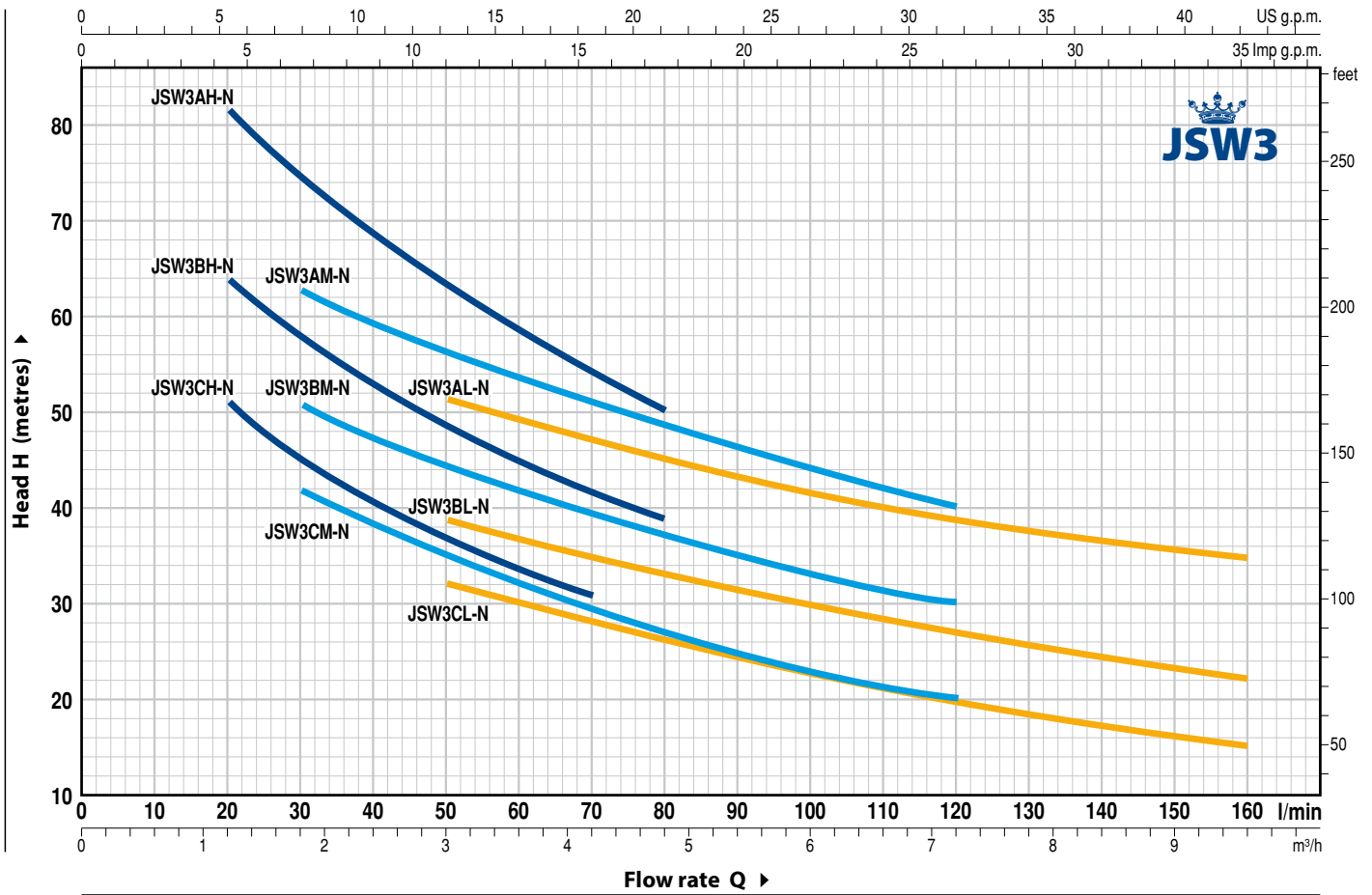
- Pump body with NPT ANSI B 1.20.1 threaded ports
- Other voltages
- IPX5 protection

### GUARANTEE

2 years subject to terms and conditions

## CHARACTERISTIC CURVES AND PERFORMANCE DATA

60 Hz n= 3450 rpm HS= 0 m



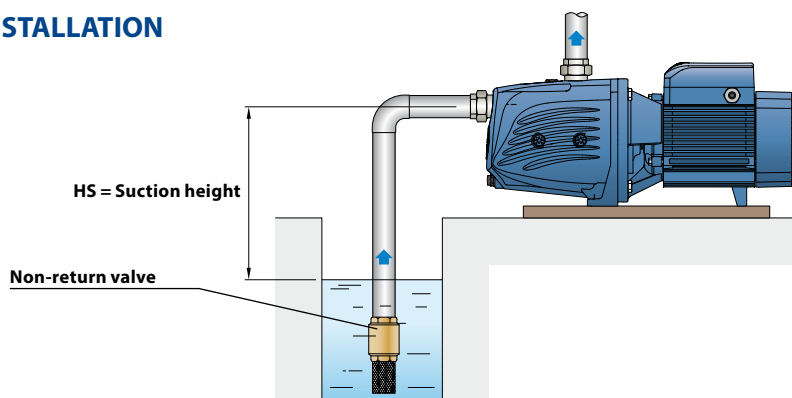
MODEL		POWER (P <sub>2</sub> )		▲	Q	Flow rate															
Single-phase	Three-phase	kW	HP			m <sup>3</sup> /h	0	0.6	1.2	1.8	2.4	3.0	3.6	4.2	4.8	6.0	7.2	8.4	9.6		
					l/min	0	10	20	30	40	50	60	70	80	100	120	140	160			
JSWm 3CH -N	JSW 3CH -N	1.1	1.5	IE2	H metres	64	60	51	45	40	37	34	31								
JSWm 3BH -N	JSW 3BH -N	1.5	2	IE3		76	70	64	58	53	49	45	41	39							
JSWm 3AH -N	JSW 3AH -N	2.2	3			96	90	82	75	69	64	58	54	50							
JSWm 3CM -N	JSW 3CM -N	1.1	1.5	IE2		52	50	45	42	38	35	32	29	27	23	20					
JSWm 3BM -N	JSW 3BM -N	1.5	2	IE3		60	58	54	51	47	45	42	39	37	33	30					
JSWm 3AM -N	JSW 3AM -N	2.2	3			74	70	67	63	59	56	54	51	49	44	40					
JSWm 3CL -N	JSW 3CL -N	1.1	1.5	IE2		42	40	38	36	34	32	30	28	26	23	20	17	15			
JSWm 3BL -N	JSW 3BL -N	1.5	2	IE3		51	48	45	43	41	39	37	35	33	30	27	24	22			
JSWm 3AL -N	JSW 3AL -N	2.2	3			62	60	57	55	53	51	49	47	45	42	39	36.5	35			

Q = Flow rate H = Total manometric head HS = Suction height

Tolerance of characteristic curves in compliance with EN ISO 9906 Grade 3B.

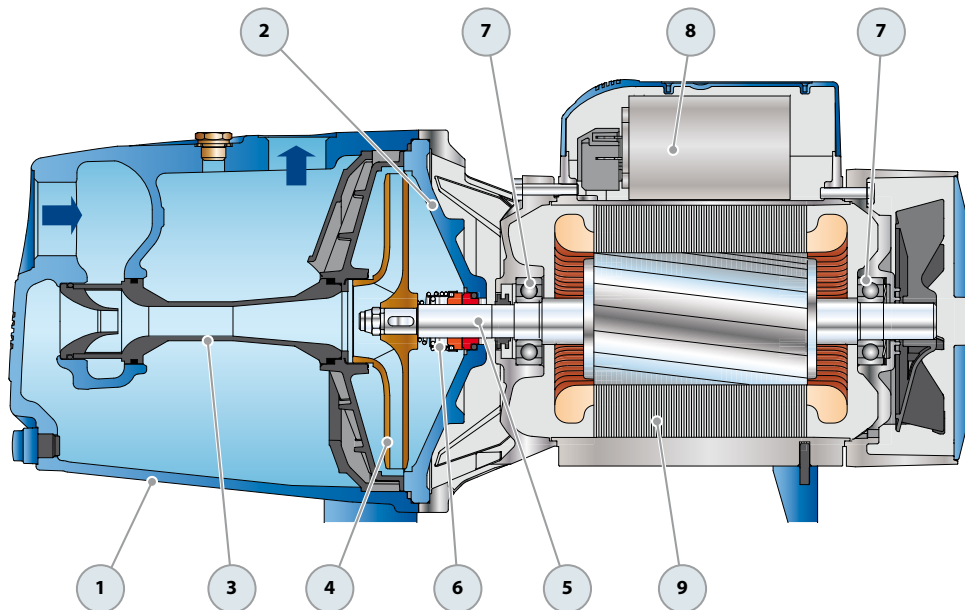
▲ Performance class of the three-phase motor (IEC-60034-30)

## STANDARD INSTALLATION

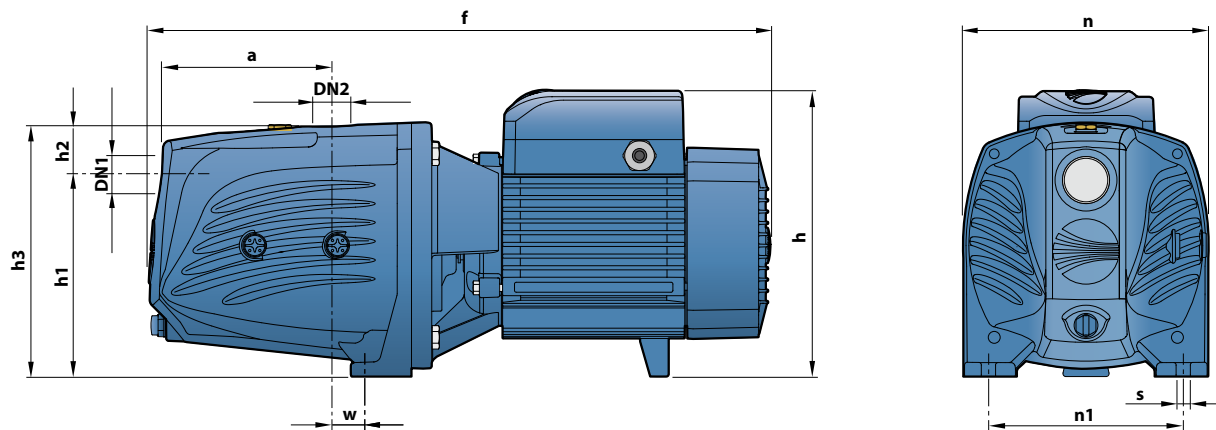


## POS. COMPONENT CONSTRUCTION CHARACTERISTICS

1	<b>PUMP BODY</b>	Cast iron with an Epoxy Electro Coating treatment, with threaded ports in compliance with ISO 228/1				
2	<b>BODY BACKPLATE</b>	Cast iron				
3	<b>NOZZLE ASSEMBLY</b>	Noryl FE1520PW				
4	<b>IMPELLER</b>	Brass				
5	<b>MOTOR SHAFT</b>	Stainless steel EN 10088-3 - 1.4104				
6	<b>MECHANICAL SEAL</b>	<i>Seal</i>	<i>Shaft</i>	<i>Materials</i>		
		<i>Model</i>	<i>Diameter</i>	<i>Stationary ring</i>	<i>Rotational ring</i>	<i>Elastomer</i>
		<b>FN-18</b>	<b>Ø 18 mm</b>	Graphite	Ceramic	NBR
7	<b>BEARINGS</b>	<b>6204 ZZ / 6204 ZZ</b>				
8	<b>CAPACITOR</b>	<i>Pump</i>	<i>Capacitance</i>			
		<i>Single-phase</i>	<i>(220 V)</i>	<i>(110 V or 127 V)</i>		
		<b>JSWm 3C-N</b>	<b>31,5 µF - 450 VL</b>	<b>60 µF - 250 VL</b>		
		<b>JSWm 3B-N</b>	<b>45 µF - 450 VL</b>	<b>80 µF - 250 VL</b>		
		<b>JSWm 3A-N</b>	<b>50 µF - 450 VL</b>	-		
9	<b>ELECTRIC MOTOR</b>	<p><b>JSWm:</b> single-phase 220 V - 60 Hz with thermal overload protector incorporated into the winding.  <b>JSW:</b> three-phase 220/380 V - 60 Hz or 220/440 V - 60 Hz.</p> <p>⇒ <b>The three-phase pumps are fitted with high performance motors up to P2=1.1kW in class IE2 and from P2=1.5kW in class IE3 (IEC 60034-30)</b></p> <ul style="list-style-type: none"> <li>- Insulation: class F</li> <li>- Protection: IP X4</li> </ul>				



## DIMENSIONS AND WEIGHT



MODEL		PORTS		DIMENSIONS mm										kg	
Single-phase	Three-phase	DN1	DN2	a	f	h	h1	h2	h3	n	n1	w	s	1~	3~
JSWm 3CH -N	JSW 3CH -N	1¼"	1"	141.5	522	241	165	44	209	206	164	30	11	25.3	23.3
JSWm 3BH -N	JSW 3BH -N				26.5									25.5	
JSWm 3AH -N	JSW 3AH -N				29.3									26.8	
JSWm 3CM -N	JSW 3CM -N				25.3									23.3	
JSWm 3BM -N	JSW 3BM -N				26.5									25.5	
JSWm 3AM -N	JSW 3AM -N				29.3									26.8	
JSWm 3CL -N	JSW 3CL -N				25.3									23.3	
JSWm 3BL -N	JSW 3BL -N				26.5									25.5	
JSWm 3AL -N	JSW 3AL -N				29.3									26.8	

## ABSORPTION

MODEL	VOLTAGE		
Single-phase	220 V	110 V	127 V
JSWm 3CH -N	8.0 A	16.0 A	15.0 A
JSWm 3BH -N	9.7 A	19.5 A	18.5 A
JSWm 3AH -N	14.5 A	-	-
JSWm 3CM -N	7.9 A	15.8 A	14.9 A
JSWm 3BM -N	10.0 A	20.0 A	18.5 A
JSWm 3AM -N	14.5 A	-	-
JSWm 3CL -N	7.7 A	15.4 A	14.5 A
JSWm 3BL -N	10.2 A	20.4 A	18.7 A
JSWm 3AL -N	14.5 A	-	-

MODEL	VOLTAGE			
Three-phase	220 V	380 V	220 V	440 V
JSW 3CH -N	5.5 A	3.2 A	5.3 A	3.1 A
JSW 3BH -N	6.9 A	4.0 A	7.5 A	4.5 A
JSW 3AH -N	8.3 A	4.8 A	9.0 A	5.4 A
JSW 3CM -N	6.0 A	3.5 A	5.8 A	4.6 A
JSW 3BM -N	7.3 A	4.2 A	7.5 A	4.5 A
JSW 3AM -N	10.0 A	5.8 A	9.5 A	5.5 A
JSW 3CL -N	5.7 A	3.3 A	5.5 A	3.2 A
JSW 3BL -N	7.6 A	4.4 A	7.5 A	4.5 A
JSW 3AL -N	9.3 A	5.4 A	9.0 A	5.2 A

## PALLETIZATION

MODEL		GROUPAGE	CONTAINER
Single-phase	Three-phase	n. pumps	n. pumps
JSWm 3CH -N	JSW 3CH -N	35	49
JSWm 3BH -N	JSW 3BH -N	35	49
JSWm 3AH -N	-	30	42
-	JSW 3AH -N	35	49
JSWm 3CM -N	JSW 3CM -N	35	49
JSWm 3BM -N	JSW 3BM -N	35	49
JSWm 3AM -N	-	30	42
-	JSW 3AM -N	35	49
JSWm 3CL -N	JSW 3CL -N	35	49
JSWm 3BL -N	JSW 3BL -N	35	49
JSWm 3AL -N	-	30	42
-	JSW 3AL -N	35	49