


# NGA-PRO

## Stainless steel pumps with open impeller

 Clean water

 Agricultural use

 Industrial use



### PERFORMANCE RANGE

- Flow rate up to **350 l/min** (21 m<sup>3</sup>/h)
- Head up to **20 m**

### APPLICATION LIMITS

- Manometric suction lift up to **7 m**
- Liquid temperature between **-10 °C** and **+90 °C**
- Ambient temperature between **-10 °C** and **+40 °C**
- Max. working pressure **6 bar**
- Passage of suspended solids up to **Ø 10 mm**
- Continuous service **S1**

### CONSTRUCTION AND SAFETY STANDARDS

EN 60335-1  
IEC 60335-1  
CEI 61-150

EN 60034-1  
IEC 60034-1  
CEI 2-3



### CERTIFICATIONS

Company with management system certified DNV  
ISO 9001: QUALITY  
ISO 14001: ENVIRONMENT

### INSTALLATION AND USE

Suitable for use with liquids that are not chemically aggressive towards the materials from which the pump is made.

The open impeller design allows **liquids containing relatively high levels of impurities** to be pumped without the risk of the impeller clogging. All of the components in contact with the pumped liquid are constructed in **stainless steel AISI 316**. Because of this characteristic the **NGA-PRO** series of pumps are particularly suitable for use in plants for washing fruit, vegetables, fish and shellfish, in industrial washing plants and for the circulation of cooling liquids. The pump should be installed in an enclosed environment or sheltered from inclement weather.

### PATENTS - TRADE MARKS - MODELS

- Registered EU Design n. 002098434

### OPTIONS AVAILABLE ON REQUEST

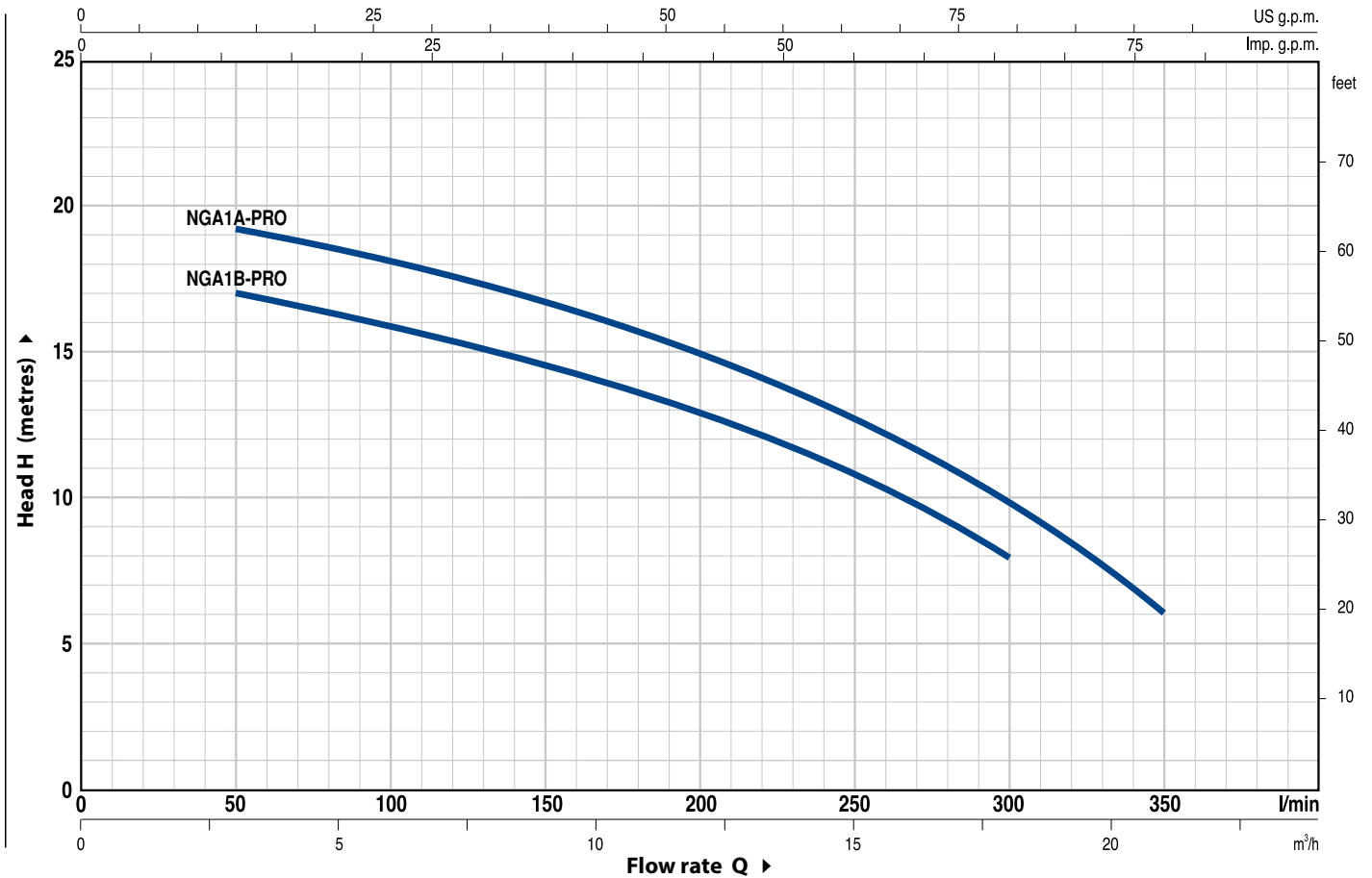
- Special mechanical seal
- Other voltages

### GUARANTEE

2 years subject to terms and conditions

### CHARACTERISTIC CURVES AND PERFORMANCE DATA

60 Hz n= 3450 rpm HS= 0 m



MODEL		POWER (P <sub>2</sub> )		Q	0	3	6	9	12	15	18	21
Single-phase	Three-phase	kW	HP		0	50	100	150	200	250	300	350
NGAm 1B - PRO	NGA 1B - PRO	0.55	0.75	H metres	18	17	16	14.5	13	10.5	8	
NGAm 1A - PRO	NGA 1A - PRO	0.75	1		20	19.5	18	16.5	15	12.5	10	6

Q = Flow rate H = Total manometric head HS = Suction height

Tolerance of characteristic curves in compliance with EN ISO 9906 Grade 3B.

# NGA-PRO

## POS. COMPONENT CONSTRUCTION CHARACTERISTICS

**1 PUMP BODY** Stainless steel AISI 316 complete with threaded ports in compliance with ISO 228/1

**2 BODY BACKPLATE** Stainless steel AISI 316

**3 IMPELLER** Open impeller in stainless steel 316

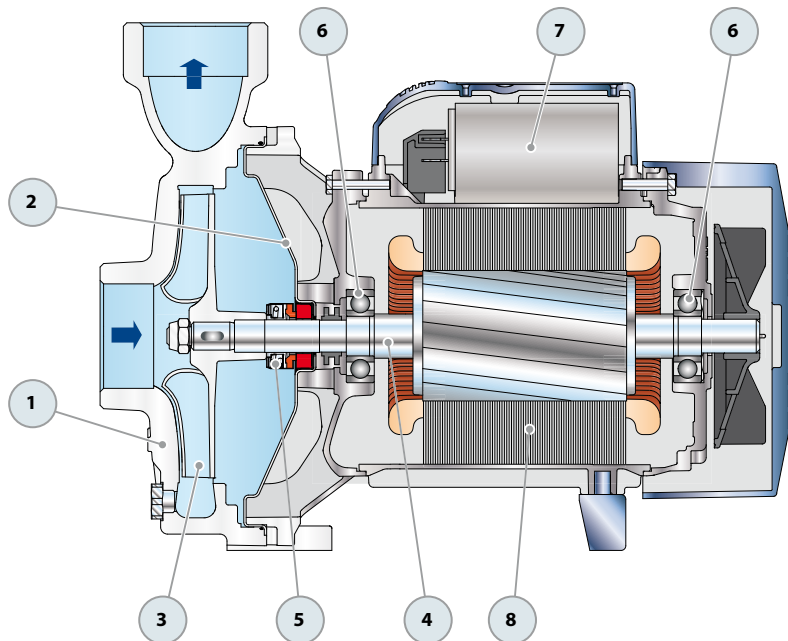
**4 MOTOR SHAFT** Stainless steel AISI 316

5 MECHANICAL SEAL	<i>Seal</i>	<i>Shaft</i>	<i>Materials</i>		
	<i>Model</i>	<i>Diameter</i>	<i>Stationary ring</i>	<i>Rotational ring</i>	<i>Elastomer</i>
	<b>AR-14S</b>	<b>Ø 14 mm</b>	Ceramic	Graphite	Viton

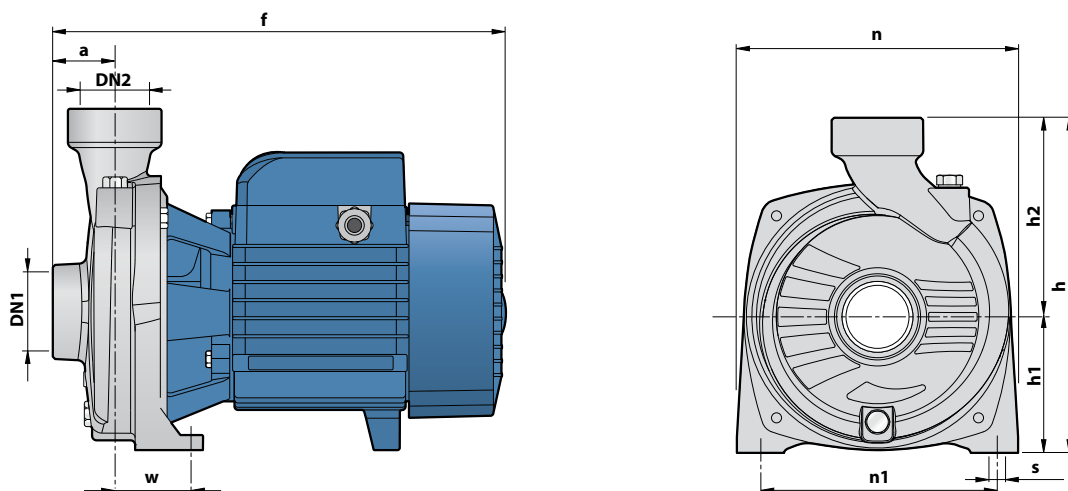
**6 BEARINGS** **6203 ZZ / 6203 ZZ**

7 CAPACITOR	<i>Pump</i>	<i>Capacitance</i>	
	<i>Single-phase</i>	<i>(220 V)</i>	<i>(110 V or 127 V)</i>
	<b>NGAm 1B - PRO</b>	<b>16 µF - 450 VL</b>	<b>60 µF - 300 VL</b>
	<b>NGAm 1A - PRO</b>	<b>20 µF - 450 VL</b>	<b>60 µF - 300 VL</b>

**8 ELECTRIC MOTOR** **NGAm - PRO:** single-phase 220 V - 60 Hz with thermal overload protector incorporated into the winding.  
**NGA - PRO:** three-phase 220/380 V - 60 Hz or 220/440 V - 60 Hz.  
 ⇒ **The three-phase pumps are fitted with high performance motors in class IE2 (IEC 60034-30)**  
 – Insulation: class F  
 – Protection: IP X4



## DIMENSIONS AND WEIGHT



MODEL		PORTS		DIMENSIONS mm									kg	
Single-phase	Three-phase	DN1	DN2	a	f	h	h1	h2	n	n1	w	s	1~	3~
NGAm 1B - PRO	NGA 1B - PRO	1½"	1½"	41	297	227	92	135	190	160	50	10	12.6	12.6
NGAm 1A - PRO	NGA 1A - PRO												12.7	12.6

## ABSORPTION

MODEL	VOLTAGE		
	220 V	110 V	127 V
Single-phase			
NGAm 1B - PRO	5.6 A	11.2 A	9.5 A
NGAm 1A - PRO	6.5 A	13.0 A	12.1 A

MODEL	VOLTAGE			
	220 V	380 V	220 V	440 V
Three-phase				
NGA 1B - PRO	4.0 A	2.3 A	4.0 A	2.3 A
NGA 1A - PRO	4.8 A	2.8 A	4.8 A	2.4 A